

the best way to open and close your gate.

one touch

A single press of your Merlin remote – your gates open automatically allowing you to drive into the security of your property. One more press – the gates close behind you. All from the comfort and safety of your car – what could be easier. The same high security Merlin remote can operate your garage door opener or lighting.



The Merlin G9 series harmonic swing gate operators are suited for gates of a medium size or where the architecture of the installation makes the fitting of a traditional linear actuator impossible. The compact design and built in controls make the G9 series a very attractive system. Available for single or double swing gates.



features

- Integrated Merlin high security receiver, features code hopping with random selection from 4.3 billion possible unique codes.
- Advanced microprocessor based electronic controller features quick setup or customized programming for personal features customization.
- Pedestrian access for partial opening of gates.
- Slow down function. The system slows the motor at the end of the close cycle to reduce noise and stress.
- Can be powered by 230V ac mains, solar or low power wiring.
- Optional battery back up in the event of a power failure.
- A keyed manual release allows secure disconnection for manual operation (G915D only).
- Electronic sensitivity stops the gate if obstructed
- Can learn up to 40 remote controls. These can be individually managed.
- Wide range of accessories available.
- For full driveway access, both gates can be opened to approximately 130 degrees. (G950 with side mount kit).



G950



G915D

warranty

24 month general warranty backed by Merlin
– a leader in remote control openers for over 15 years.

dealer:

remote-a-gate

T: 0400 123 567

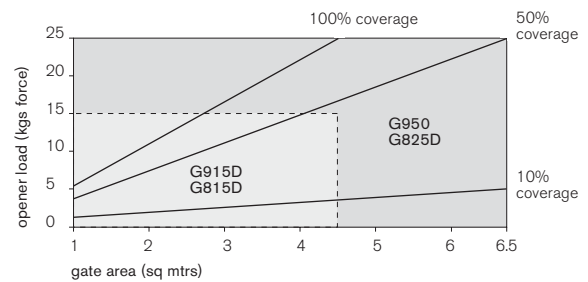
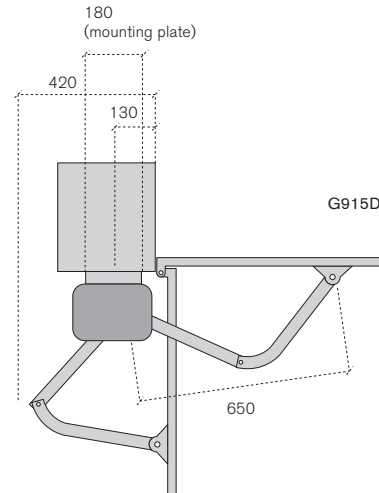
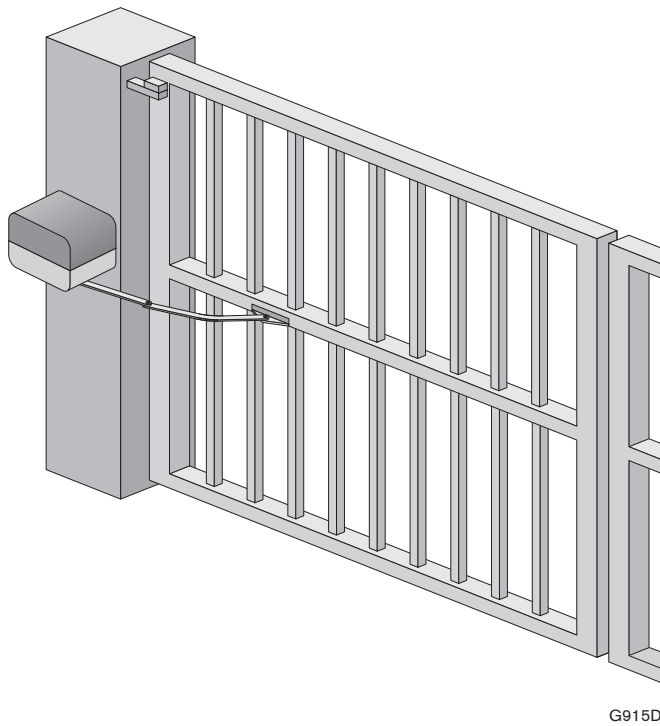
F: 07 3806 0050

E: sales@remotegate.com.au

W: www.remotegate.com.au



designed for reliability. engineered to last.



professionally installed

- Merlin Authorised Installers are professionals who will ensure your opener is installed with care to work safely and reliably. May entitle you to additional on-site product warranty, ask dealer for details.

accessories

For the full range of accessories please refer to the accessories brochure.

- We strongly recommend the use of safety beam sensors.



A variety of 2 and 4 channel standard transmitters, keyring transmitters and a wireless wall button are available. Extra channels can operate other Merlin compatible openers or lighting products. Each gate opener can be operated by up to 40 transmitters. Each transmitter can be easily programmed to operate door, gate, lighting or other devices. Transmitters operate with all products carrying the merlin compatible logo.

For a given gate area, draw a line upwards to intersect with the line that best matches the cladding coverage of the gate, eg. metal bars 10-20%, solid panel 100%. Where these lines intersect indicates the opener to select. Note: The opener load forces are affected by speed, this graph shows a moderate breeze 15 knots. In high wind areas we suggest upspecing. See our website www.merlingo.com for more details on testing and selection of the correct model for your gates.

specifications	G915D	G950
Power options	240vac, 12vdc, solar	240vac, 12vdc, solar
Current	2amps	4amps p/motor
Travel time 90 degrees	20 seconds	10 - 15 seconds
Maximum opening angle	120 degrees	110 std (130° side mount kit)
Gate stop required	recommended / optional	recommended / optional
Gate lock required	recommended / optional	recommended / optional
* Maximum rated force	150N	250N
* Maximum gate length	2 metres	3.5 metres
* Maximum gate weight	140kg	300kg
Duty cycle	80%	80%

* Gate construction, quality of hardware used, installation set-up and location may greatly affect the working performance of the operator, ask your dealer for details.



Electric solenoid lock
For secure locking of gates.

Digital entry keypad
securely opens gate without a transmitter. Suitable for mounting outdoors. Heavy duty stainless steel.

Wireless Keypad
securely opens gate without a transmitter. Suitable for mounting outdoors.

Safety Beams sense obstruction and stop closing door before contact. We strongly recommend these for added safety.

Coaxial antennae for improved radio performance.

merlin product range:



Ask your Merlin Dealer or visit www.merlingo.com